

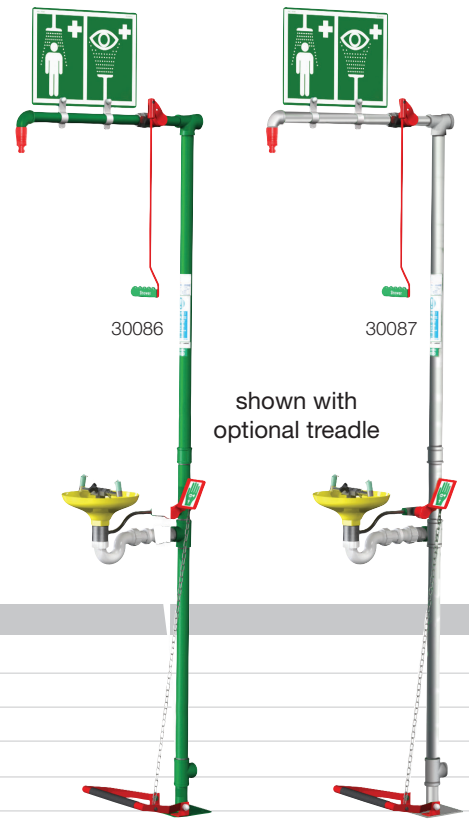
30086

30087

Indoor Emergency Safety Shower

Type: Combination, Top Water Inlet

Floor mounted unheated emergency safety shower incorporating an open ABS eye/face wash unit, available with either galvanized mild steel or stainless steel pipework. These ANSI compliant models are ideal for use in indoor applications not subject to the possibility of freezing or overheating. Includes universal eye wash and shower sign for enhanced visibility.



Specifications

MATERIALS OF CONSTRUCTION	
PIPEWORK AND FITTINGS (30086)	Galvanized mild steel tubulars and fittings
PIPEWORK AND FITTINGS (30087)	Stainless steel tubulars and fittings
OPERATING VALVES	316L stainless steel, two piece stay open valve
SHOWER SPRAY OUTLET	Machine molded nylon 6 red shower nozzle
EYE/FACE WASH BOWL	ABS plastic
EYE WASH DIFFUSERS	Chrome plated brass with stainless steel mesh
STANDARD FINISH (Galvanized mild steel)	Green powder coated
STANDARD FINISH (Stainless steel)	Polished brush finish
SERVICES	
WATER INLET	1 1/4 in Female NPT
DESIGN OPERATING PRESSURE	2.0 to 6 BAR G (29 to 87 PSI)
TEST PRESSURE	10.3 BAR G (149 PSI)
MINIMUM FLOW AT OPERATING PRESSURE	Shower: 76 liters/minute minimum (20 US Gallons). Eye/face wash: 11.4 liters/minute minimum (3 US Gallons)
ENVIRONMENTAL OPERATING TEMPERATURE	
MINIMUM AMBIENT OPERATING TEMPERATURE	5° C (41° F)
MAXIMUM AMBIENT OPERATING TEMPERATURE	35° C (95° F)
OPERATIONAL	
SHOWER SPRAY OPERATION	Pull handle
EYE/FACE WASH OPERATION	Push plate
NOMINAL WEIGHTS and DIMENSIONS	
DIMENSIONS - STANDARD ORIENTATION (W x D x H)	314 mm (12.4 in) x 751 mm (29.5 in) x 2617 mm (103 in) Height includes sign
WEIGHT (NO OPTIONS)	16 kg (35 lb)

OPTIONS AVAILABLE:

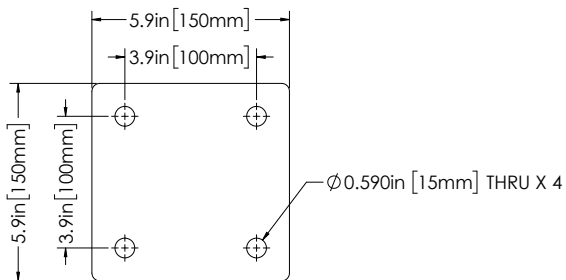
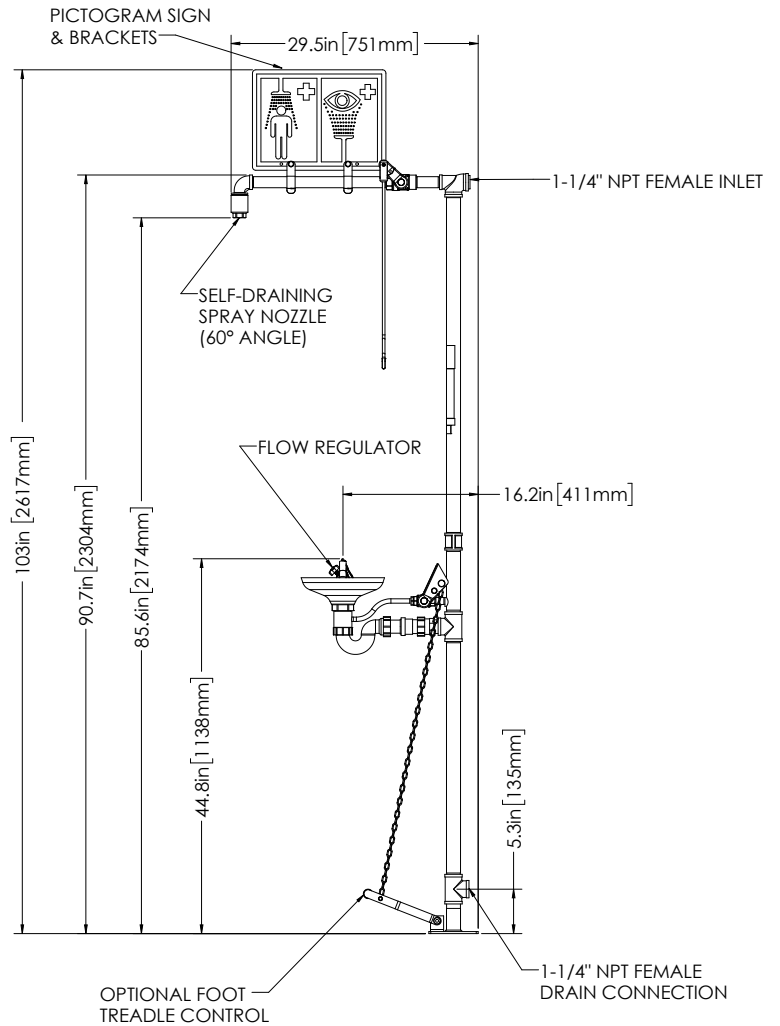
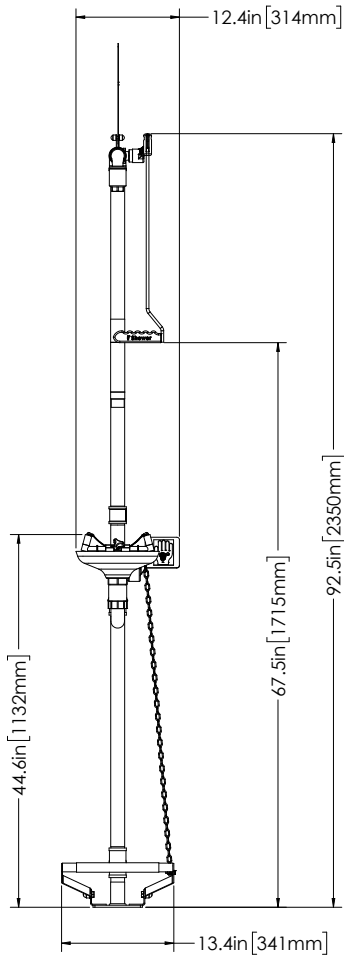
30510 ABS rose

30511 Stainless steel rose

30513 Foot activation for eye/face wash, C-style

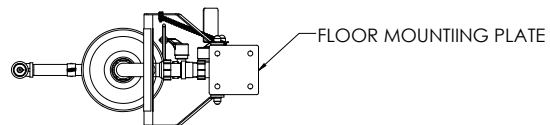
30086
30087

Indoor Emergency Safety Shower Type: Combination, Top Water Inlet



MOUNTING PLATE VIEW
(MOUNTING HARDWARE NOT INCLUDED)

VARIATIONS IN MANUFACTURING AND ASSEMBLY
ALLOW FOR ±1/8 IN [3MM] PER THREADED JOINT.



North America: 1-800-798-9250
custserv@justritemfg.com

Europe: 1-217-234-7494
Asia Pacific: 011+86-756-322-9909
internationalcs@justritemfg.com

©2017 Justrite Mfg. Co., LLC

