

Electric Random Orbital Sander

Tool Manual – Safety, Operation and Maintenance

SAVE THIS DOCUMENT, EDUCATE ALL PERSONNEL

Models:

- 59302 – 5" Dia. Pad, 3/8" Orbit, Central Vacuum-Ready**
- 59303 – 6" Dia. Pad, 3/8" Orbit, Central Vacuum-Ready**
- 59304 – 5" Dia. Pad, 3/16" Orbit, Central Vacuum-Ready**
- 59305 – 6" Dia. Pad, 3/16" Orbit, Central Vacuum-Ready**



⚠ WARNING

Read and understand this tool manual before operating your tool. Follow all safety rules for the protection of operating personnel as well as adjacent areas. For safety information, refer to Code of Federal Regulation – CFR 29 Part 1910, European Committee for Standards (EN) Hand Held Electric Motor Operated Tools – Safety Requirements and applicable State and Local Regulations.

SAFETY LEGEND

	⚠ WARNING Read and understand tool manual before work starts to reduce risk of injury to operator, visitors, and tool.	⚠ WARNING Practice safety requirements. Work alert, have proper attire, and do not operate tools under the influence of alcohol or drugs.	
	⚠ WARNING Eye protection must be worn at all times, eye protection to conform to ANSI Z87.1.	⚠ WARNING Ear protection to be worn when exposure to sound, exceeds the limits of applicable Federal, State or local statutes, ordinances and/or regulations.	
	⚠ WARNING Respiratory protection to be used when exposed to contaminants that exceed the applicable threshold limit values required by law.	⚠ WARNING Electric shock hazard. Avoid bodily contact with grounded objects, bodies of water. Do not damage cord set.	

GENERAL SAFETY RULES

WARNING! Read and understand all instructions. Failure to follow all instructions listed below, may result in electric shock, fire and/or serious personal injury.

SAVE THESE INSTRUCTIONS

Work Area

1. **Keep your work area clean and well lit.** Cluttered benches and dark areas invite accidents.
2. **Do not operate power tools in explosive atmospheres, such as in the presence of flammable liquids, gases, or dust.** Power tools create sparks which ignite the dust or fumes.
3. **Keep bystanders, children, and visitors away while operating a power tool.** Distractions can cause you to lose control.

Electrical Safety

1. **Double Insulated tools are equipped with a polarized plug (one blade is wider than the other.) This plug will fit in polarized outlet only one way. If the plug does not fit fully in the outlet, reverse the plug. If it still does not fit, contact a qualified electrician to install a polarized outlet. Do not change the plug in any way.** Double Insulation eliminates the need for the three wire grounded power cord and grounded power supply system.
2. **Avoid body contact with grounded surfaces such as pipes, radiators, ranges and refrigerators.** There is an increased risk of electric shock if your body is grounded.
3. **Don't expose power tools to rain or wet conditions.** Water entering a power tool will increase the risk of electric shock.
4. **Do not abuse the cord. Never use the cord to carry the tools or pull the plug from an outlet. Keep cord away from heat, oil, sharp edges or moving parts. Replace damaged cords immediately.** Damaged cords increase the risk of electric shock.
5. **When operating a power tool outside, use an outdoor extension cord marked "W-A" or "W."** These cords are rated for outdoor use and reduce the risk of electric shock.

(continued on next page)

Personal Safety

1. **Stay alert, watch what you are doing and use common sense when operating a power tool. Do not use tool while tired or under the influence of drugs, alcohol, or medication.** A moment of inattention while operating power tools may result in serious personal injury.
2. **Dress properly. Do not wear loose clothing or jewelry. Contain long hair. Keep your hair, clothing, and gloves away from moving parts.** Loose clothes, jewelry, or long hair can be caught in moving parts.
3. **Avoid accidental starting. Be sure switch is off before plugging in.** Carrying tools with your finger on the switch or plugging in tools that have the switch on invites accidents.
4. **Remove adjusting keys or switches before turning the tool on.** A wrench or a key that is left attached to a rotating part of the tool may result in personal injury.
5. **Do not overreach. Keep proper footing and balance at all times.** Proper footing and balance enables better control of the tool in unexpected situations.
6. **Use safety equipment. Always wear eye protection.** Dust mask, non-skid safety shoes, hard hat, or hearing protection must be used for appropriate conditions.

Tool Use and Care

1. **Use clamps or other practical way to secure and support the workpiece to a stable platform.** Holding the work by hand or against your body is unstable and may lead to loss of control.
2. **Do not force tool. Use the correct tool for your application.** The correct tool will do the job better and safer at the rate for which it is designed.
3. **Do not use tool if switch does not turn it on or off.** Any tool that cannot be controlled with the switch is dangerous and must be repaired.
4. **Disconnect the plug from the power source before making any adjustments, changing accessories, or storing the tool.** Such preventative safety measures reduce the risk of starting the tool accidentally.
5. **Store idle tools out of reach of children and other untrained persons.** Tools are dangerous in the hands of untrained users.
6. **Maintain tools with care. Keep cutting tools sharp and clean.** Properly maintained tools, with sharp cutting edges are less likely to bind and are easier to control.
7. **Check for misalignment or binding of moving parts, breakage of parts, and any other condition that may affect the tools operation. If damaged, have the tool serviced before using.** Many accidents are caused by poorly maintained tools.
8. **Use only accessories that are recommended by the manufacturer for your model.** Accessories that may be suitable for one tool, may become hazardous when used on another tool.

Service

1. **Tool service must be performed only by qualified repair personnel.** Service or maintenance performed by unqualified personnel could result in a risk of injury.
2. **When servicing a tool, use only identical replacement parts. Follow instructions in the Maintenance section of this manual.** Use of unauthorized parts or failure to follow Maintenance Instructions may create a risk of electric shock or injury.

SPECIFIC SAFETY RULES

1. **Accessories must be rated for at least the speed recommended on the tool warning label.** Wheels and other accessories running over rated speed can fly apart and cause injury.
2. **Hold tool by insulated gripping surfaces when performing an operation where the tool may contact hidden wiring or its own cord.** Contact with a "live" wire will make exposed metal parts of the tool "live" and shock the operator.

(See Definitions for label symbols on pg. 4)

TOOL DESCRIPTION

Random Orbital Sander – Is a right angle electric hand tool with a 5/16"-24 internally threaded spindle which includes: an on/off switch, side handle, a shroud (w/vacuum port), and is equipped with a 8 ft. cord set.

ASSEMBLY and OPERATION INSTRUCTIONS

1. With power source disconnected from tool, securely fasten abrasive/accessory on tool with the wrench provided and the counter balance on the spindle. The rated RPM of the accessory must be equal to or greater than the rated RPM of the tool.
2. Adjust the shroud using the screw with a motor lock. It should be between the operator and the pad. Check to make sure the switch is in the off position and connect power source to tool.
3. Hold tool by the motor housing and the side handle. Do Not hold tool by head/housing assembly. Keep hands away from all sanding edges and moving parts.
4. Push, slide switch forward to start tool. Depress rear of slide switch to disengage tool.

MAINTENANCE and ACCESSORY CARE INSTRUCTIONS

Important: A preventative maintenance program is recommended whenever portable power tools are used.

- Use only genuine Dynabrade replacement parts to insure quality. To order replacement parts, specify **Model #**, **Serial #** and **RPM** of your tool.

Routine Preventative Maintenance:

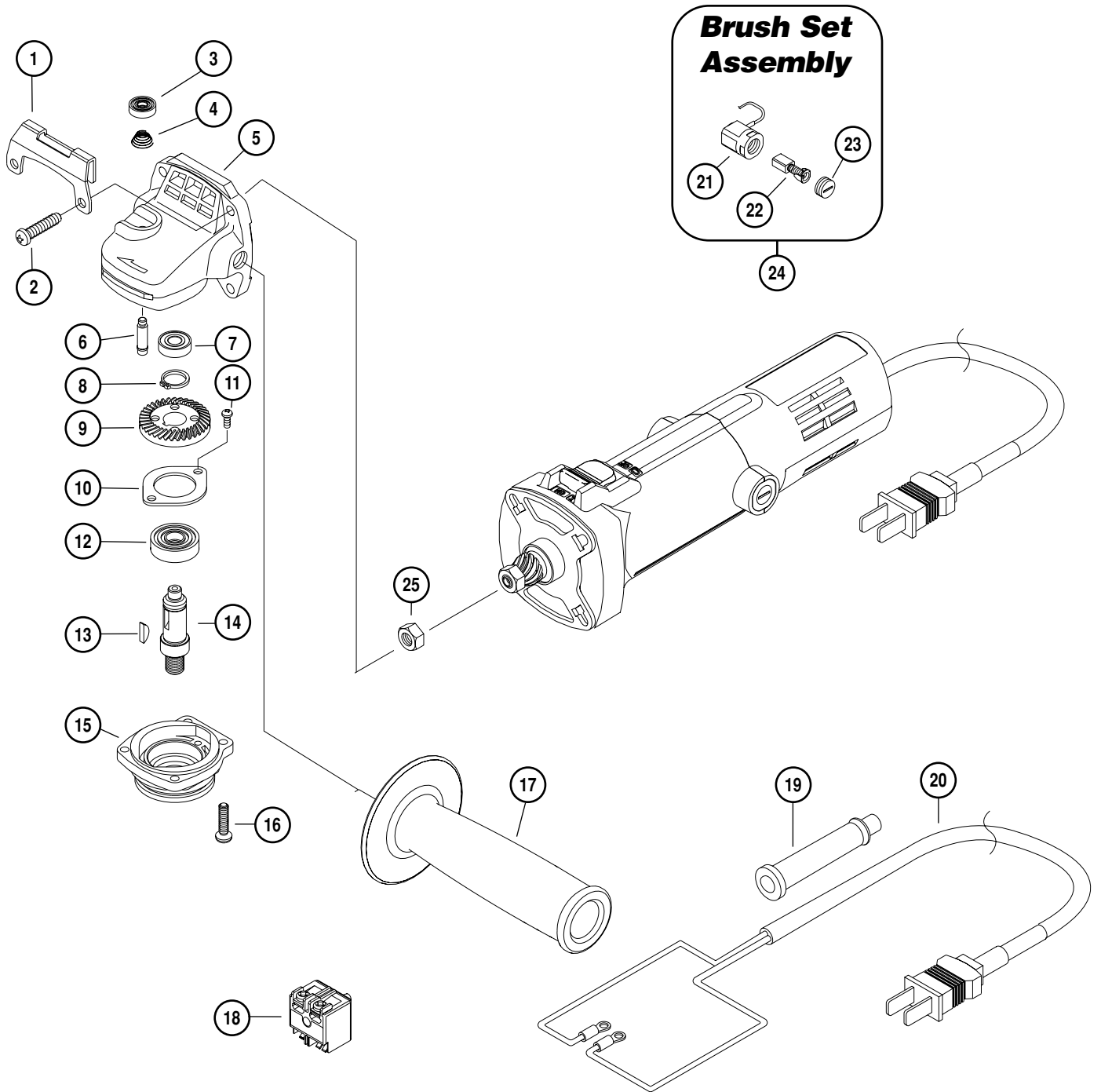
- Mineral spirits are recommended when cleaning the sanding heads. Do not use on electrical components or clean tool or parts with any solvents or oils containing acids, esters, ketones, chlorinated hydrocarbons or nitro carbons. Blow the dirt from electrical components with air.
- **DO NOT** clean or maintain tools with chemicals that have a low flash point (example: WD-40®).
- Tool labels must be kept legible at all times, if not, reorder label(s) and replace. User is responsible for maintaining specification information i.e.: Model #, S/N, and RPM. (See Assembly Breakdown)
- Visually inspect plugs and cords for frays, visible damage and signs of deterioration. Replace damaged or worn components.
- Refer to Dynabrade's Warning/Safety Operating Instructions Tag (Reorder No. **95903**) for safety information.
- Brush Changing – When the brushes wear down to a predetermined length, the tool is automatically shut off to prevent damage to the armature. Unplug tool and remove brush caps (item #23) and replace brushes (item #22). Replace brush caps.

After maintenance is performed on tool check for excessive tool vibration. Check for excessive current leakage at 550 volts with a current leakage checker on all screws and the gear case, if the electrical components have been disturbed during repair.

Handling and Storage of Tool and Accessories:

- Use of tool rests, hangers and/or balancers is recommended.
- **DO NOT** carry tool by cord.
- Protect abrasive accessories from exposure to water, solvents, high humidity, freezing temperature and extreme temperature changes.
- Store accessories in protective racks or compartments to prevent damage.

Angle-Head and Assemblies



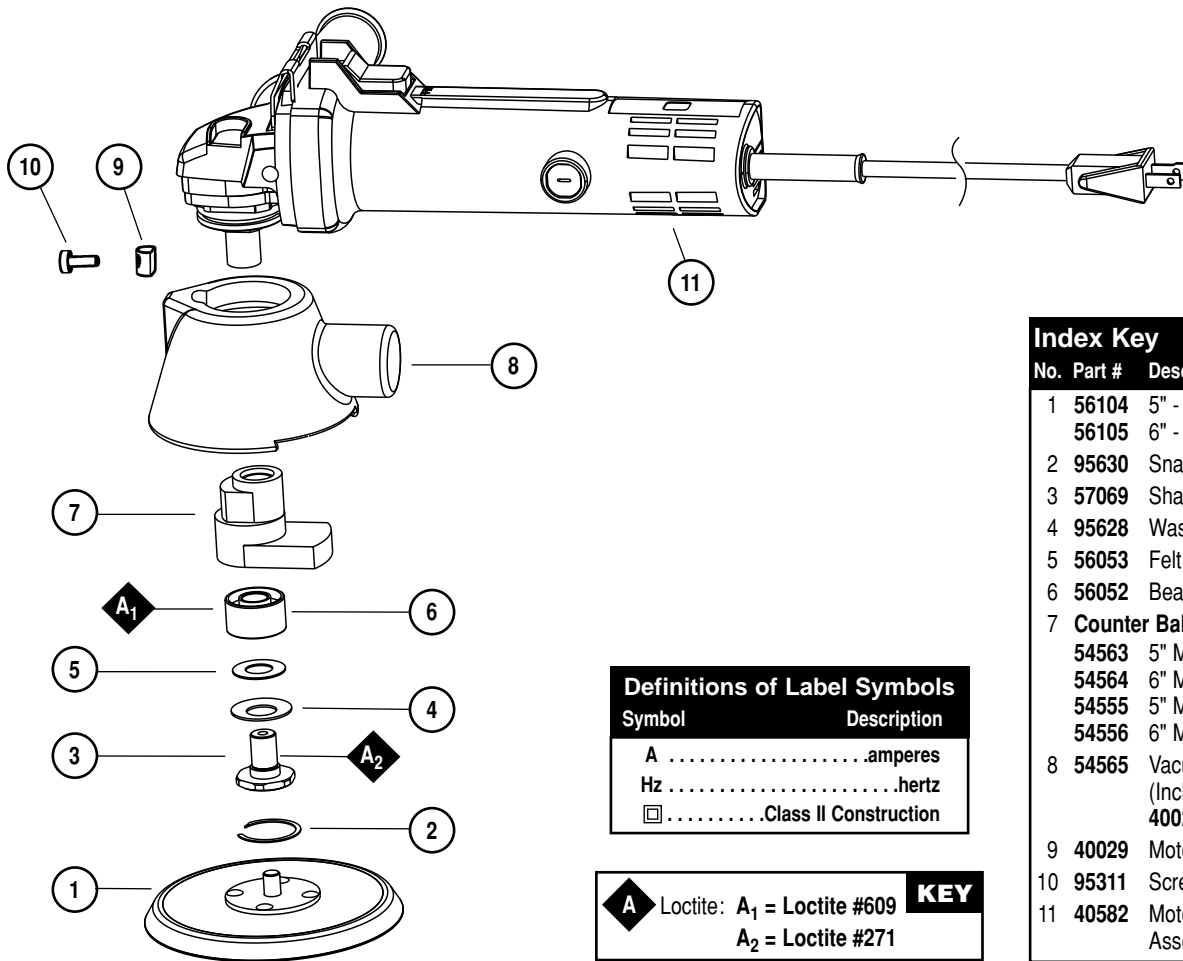
To order replacement parts, specify model number and serial number of your machine.

Index Key

No. Part # Description

1	42741	Guard Plate	9	42718	Gear/Pinion Set	18	42729	Switch
2	42722	Screw (4)	10	42716	Bearing Retainer	19	42730	Cord Protector
3	42725	Lock Button	11	42715	Screw (2)	20	42731	Power Supply Cord
4	42724	Lock Spring	12	42714	Lower Spindle Bearing	21	42732	Brush Holder (2)
5	42723	Gear Case Assembly (Includes: #3, #4 & #6)	13	42713	Key	22	42733	Brush (2)
6	42721	Lock Pin	14	42738	Spindle 5/8"-11	23	42734	Brush Cap (2)
7	42720	Upper Spindle Bearing	15	42736	Gear Case Cover	24	42735	Brush Set
8	42719	Retaining Ring	16	42710	Screw (4)	25	42746	Nut
			17	42726	Side Handle			

Random Orbital Sander and Motor/Angle-Head Assembly



Definitions of Label Symbols	
Symbol	Description
Aamperes
Hzhertz
□Class II Construction

A	Loctite: A₁ = Loctite #609	KEY
	A₂ = Loctite #271	

Index Key		
No.	Part #	Description
1	56104	5" - Vacuum Pad (Vinyl)
	56105	6" - Vacuum Pad (Vinyl)
2	95630	Snap Ring
3	57069	Shaft Balancer
4	95628	Washer
5	56053	Felt Washer
6	56052	Bearing
7	Counter Balance	
	54563	5" Model, 3/8" Orbit
	54564	6" Model, 3/8" Orbit
	54555	5" Model, 3/16" Orbit
	54556	6" Model, 3/16" Orbit
8	54565	Vacuum Shroud (Includes: 95311 Screw & 40029 Motor Lock)
9	40029	Motor Lock
10	95311	Screw
11	40582	Motor/Angle-Head Assembly

Machine Specifications

Model Number	Motor RPM	Motor HP	Pad Diameter Inch (mm)	Voltage	Current	Phase	Frequency	Weight Pound (kg)	Length Inch (mm)	Height Inch (mm)
5" Models	12,000	1	5 (127)	120 V (AC)	4.6 Amps	1	60 Hz	4.9 (2.2)	12-1/2 (318)	5-3/4 (146)
6" Models	12,000	1	6 (152)	120 V (AC)	4.6 Amps	1	60 Hz	4.9 (2.2)	13 (331)	5-3/4 (146)

One Year Warranty

Following the reasonable assumption that any inherent defect which might prevail in a product will become apparent to the user within one year from the date of purchase, all equipment of our manufacture is warranted against defects in workmanship and materials under normal use and service. We shall repair or replace at our factory, any equipment or part thereof which shall, within one year after delivery to the original purchaser, indicate upon our examination to have been defective. Our obligation is contingent upon proper use of Dynabrade tools in accordance with factory recommendations, instructions and safety practices. It shall not apply to equipment which has been subject to misuse, negligence, accident or tampering in any way so as to affect its normal performance. Normally wear-able parts such as bearings, contact wheels, rotor blades, etc., are not covered under this warranty.

Reference Contact Information

- American National Safety Institute – ANSI**
24 West 43rd Street
Fourth Floor
New York, NY 10036
Tel: 1 (212) 642-4900
Fax: 1 (212) 398-0023
- Government Printing Office – GPO**
Superintendent of Documents
Attn. New Orders
P.O. Box 371954
Pittsburgh, PA 15250-7954
Tel: 1 (202) 512-1803
- European Committee for Standardization**
Rue de Stassart 36
B - 1050 Brussels, Belgium



Visit Our Web Site: www.dynabrade.com

Email: Customer.Service@Dynabrade.com

DYNABRADE, INC., 8989 Sheridan Drive • Clarence, NY 14031-1490 • Phone: (716) 631-0100 • Fax: 716-631-2073 • International Fax: 716-631-2524
DYNABRADE EUROPE S.à.r.l., Zone Artisanale • L-5485 Wormeldange—Haut, Luxembourg • Telephone: 352 76 84 94 1 • Fax: 352 76 84 95 1