

# 30076, 300761 30077, 300771

## Indoor Emergency Safety Shower Type: Drench

Ceiling mounted unheated emergency safety shower, available with either galvanized mild steel or stainless steel pipework. Ideal for use where space is at a premium, this general purpose shower is suitable for use in all applications not subject to the possibility of freezing or overheating. Includes universal shower sign for enhanced visibility. ANSI compliant.



## Specifications

MATERIALS OF CONSTRUCTION	
PIPEWORK AND FITTINGS (30076, 300761)	Galvanized mild steel tubulars and fittings
PIPEWORK AND FITTINGS (30077, 300771)	Stainless steel tubulars and fittings
OPERATING VALVES	316L stainless steel, two piece stay open valve
SHOWER SPRAY OUTLET	Machine molded nylon 6 red shower nozzle
STANDARD FINISH (Galvanized mild steel)	Green powder coated
STANDARD FINISH (Stainless steel)	Polished brush finish
SERVICES	
WATER INLET (30076, 30077)	1 in Female NPT ( 300761, 300771) 1 in Female BSP
DESIGN OPERATING PRESSURE	1.5 to 6 BAR G (22 to 87 PSI)
TEST PRESSURE	10.3 BAR G (149 PSI)
MINIMUM FLOW AT OPERATING PRESSURE	Shower: 76 liters/minute minimum (20 US Gallons)
ENVIRONMENTAL OPERATING TEMPERATURE	
MINIMUM AMBIENT OPERATING TEMPERATURE	5° C (41° F)
MAXIMUM AMBIENT OPERATING TEMPERATURE	35° C (95° F)
OPERATIONAL	
SHOWER OPERATION	Pull handle
NOMINAL WEIGHTS and DIMENSIONS	
DIMENSIONS - STANDARD ORIENTATION (W x D x H)	214 mm (8.4 in) x 150 mm (5.9 in) x 804 mm (31.6 in)
WEIGHT (NO OPTIONS)	4 kg (8 lb)

### OPTIONS AVAILABLE:

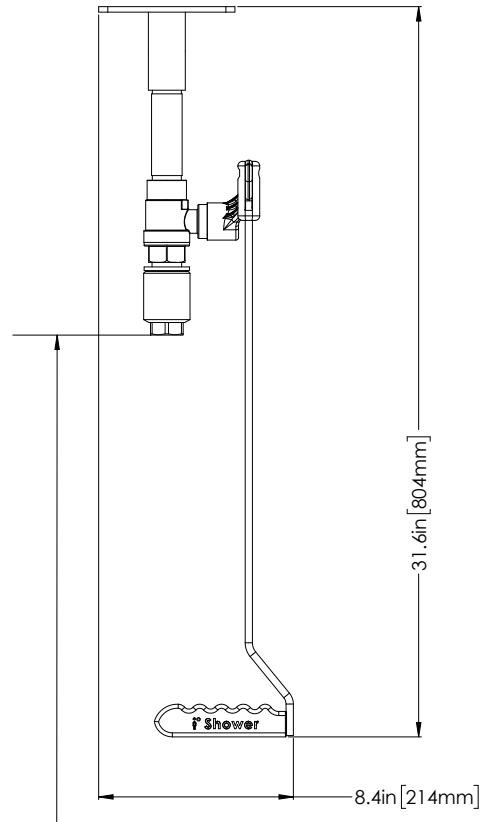
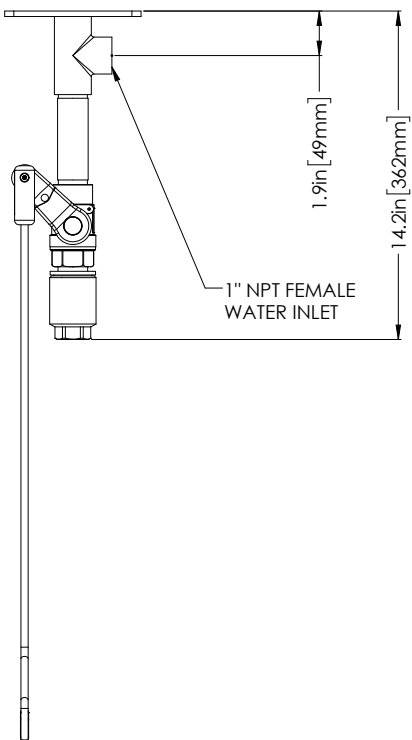
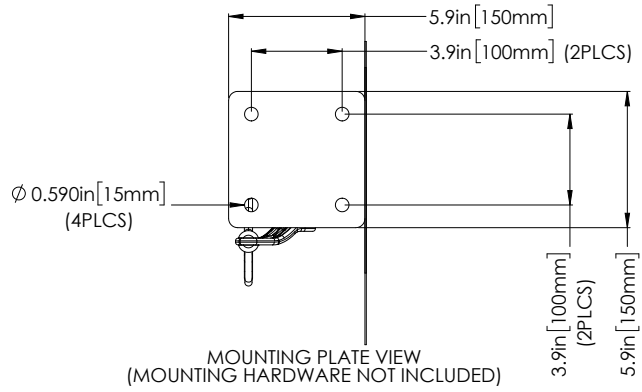
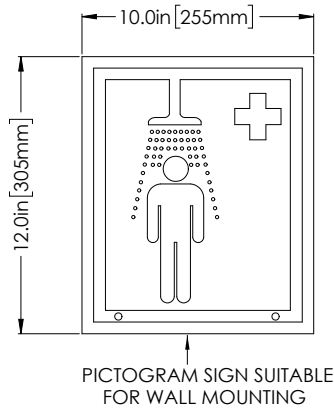
30510 ABS rose

30511 Stainless steel rose

30076, 300761  
30077, 300771

Product Data Sheet - G.A. Drawings

**Indoor Emergency Safety Shower Type: Drench**



VARIATIONS IN MANUFACTURING AND ASSEMBLY  
ALLOW FOR  $\pm 1/8$  in [3 mm] PER THREADED JOINT.

ANSI Z358.1: SHOWERS SHALL PROVIDE A  
FLUSHING FLUID COLUMN THAT IS  
82 in [208.3 cm] TO 96 in [243.8 cm]  
FROM STANDING SURFACE.

North America: 1-800-798-9250  
custserv@justritemfg.com

Europe: 1-217-234-7494  
Asia Pacific: 011+86-756-322-9909  
internationalcs@justritemfg.com

©2017 Justrite Mfg. Co., LLC

